

1		3/8" FENDER WASHER	STEEL	44
2		WING NUT #10-32	STEEL	43
2		C/PIN 3/4" LG	STEEL	42
		CARPET	YOUR CHOICE	41
1		JACK BASE PLATE 2 1/2" SQ x 3/8" THK	STEEL	40
3	6111K46	LEVELING FOOT 1/2" 20 M/MASTER-CARR	STEEL	39
2	2331T23	WHEEL 10" OD x 1/2" AXLE x 2" THRU HUB	M/MASTER-CARR	38
2		WASHER FLAT 3/8"	STEEL	37
1		3/8"-16UNC BOLT x 1 1/2" LG	GRADE 8 STEEL	36
1		NUT 3/8"-16UNC	STEEL	35
2		FLAT HD SCREW #10-32x3/4" LG	STEEL	34
2		BOLT 10-32 x 1 1/4 LG	STEEL	33
1		SPACER 1/2" OD x 1" ID x 1" LG	AL 6061-14	32
1		1/2"-20UNC BOLT x 1 1/2" LG	GRADE 2 STEEL	31
3		NUT 1/2"-20	STEEL	30
1		1/2"-20UNC BOLT x 1" LG	GRADE 2 STEEL	29
1		SPACER 1/2" OD x 1" ID x 1" LG	AL 6061-14	28
12		WASHER FLAT 1/2"	STEEL	27
1		1/2"-20UNC BOLT x 2 1/2" LG FULL THREAD	GRADE 2 STEEL	26
10		LOCK NUT 1/2"-20	STEEL	25
4		1/2"-20UNC BOLT x 1 1/2" LG	GRADE 2 STEEL	24
24		LOCK NUT #10-32	STEEL	23
26		FLAT HD SCREW #10-32x3/4" LG	STEEL	22
6		WASHER FLAT 1/2"	STEEL	21
2		AXLE 1/2" BOLT x 4" LG	GRADE 5 STEEL	20
1		PIVOT BLOCK 1 1/2 x 2 1/8" LG	ALUM	19
2		AXLE BEARING 1.120 SQ x 2" LG	ALUM	18
1		PIVOT LEVER 3/4 x 1 1/4" LG	STEEL	17
1		PIVOT HANDLE 3/4 x 1 1/4" LG	STEEL	16
1		PIVOT ROD 1/2" x 500 x 1 1/8" LG	STEEL	15
1		1x.065 WALL SQ TUBE 10" LG	STEEL	14
1		3/8x.065 WALL SQ TUBE 14" LG	STEEL	13
1		3/8x.065 WALL SQ TUBE 47" LG	STEEL	12
1		1 1/4x.065 WALL SQ TUBE 49" LG	STEEL	11
1		1 1/4x.083 WALL SQ TUBE 8" LG	STEEL	10
1	3961	JACK MODIFIED HARBOR FREIGHT	STEEL	9
1		L 1 1/2 x 1 1/2 x 8 1/2" LG	A36 STEEL	8
1		L 1 1/2 x 1 1/2 x 15 1/2" LG	A36 STEEL	7
1		L 1 1/2 x 1 1/2 x 8 1" LG	A36 STEEL	6
3		L 1 1/2 x 1 1/2 x 8 1" LG	A36 STEEL	5
1		LOWER SADDLE BACKING STRIP 3/4 x 3/16 x 15 1/2 STEEL	STEEL	4
1		UPPER SADDLE BACKING STRIP 3/4 x 3/16 x 15 1/2 STEEL	STEEL	3
1		TRAILING EDGE SUPPORT .125x5x22.75	AL 5052	2
1		WIND SADDLE .125x24x43.5	AL 5052	1

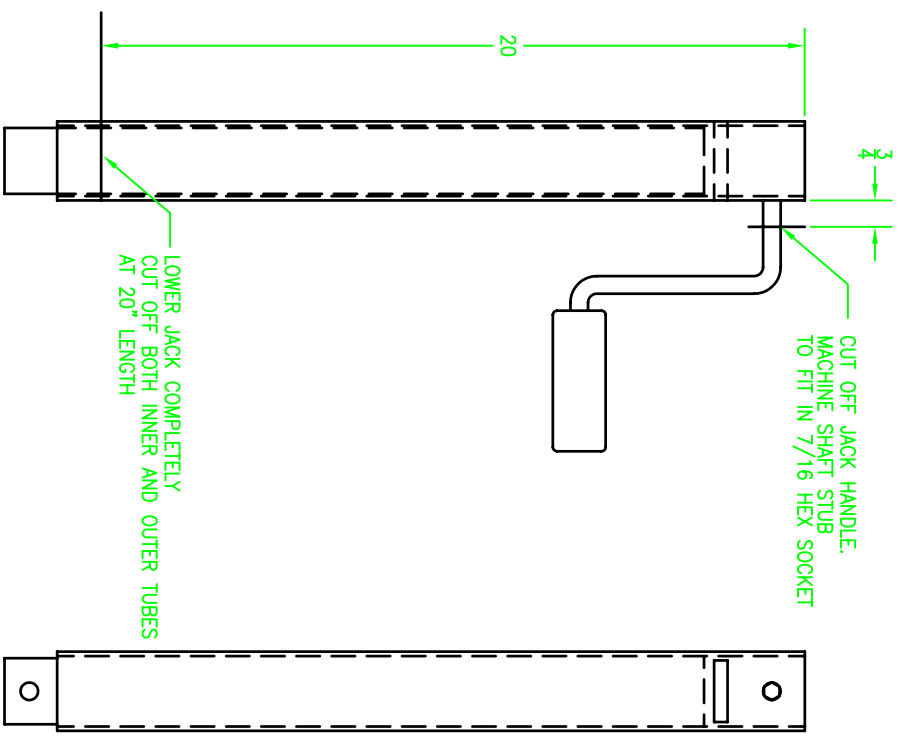
QTY REQD

PARTS LIST

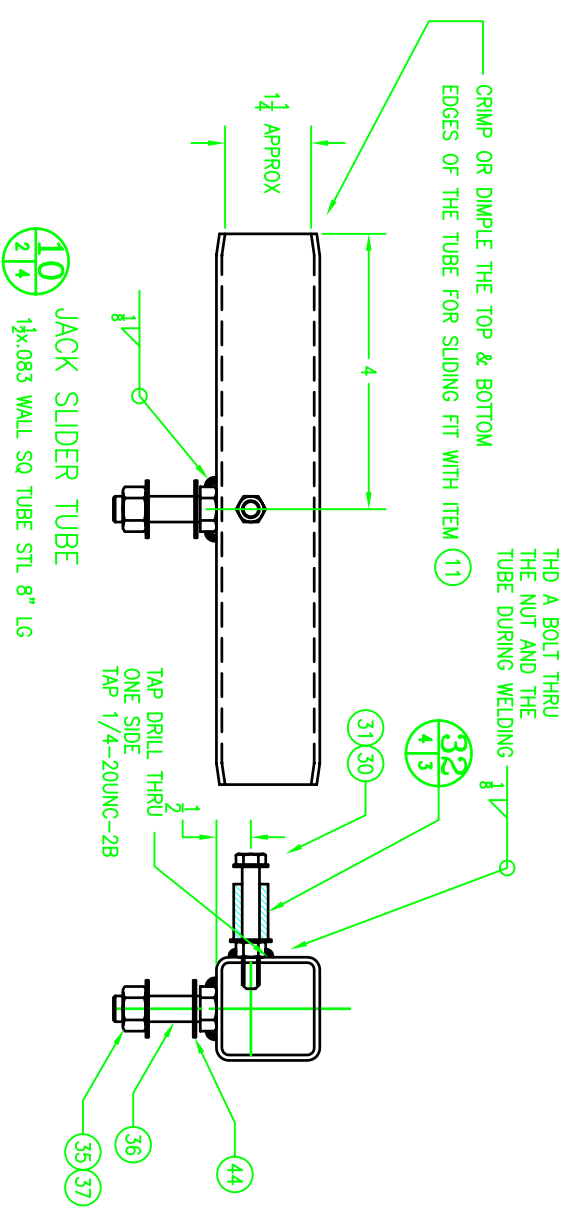
PART NO. OR IDENTIFYING NO. NOMENCLATURE OR DESCRIPTION MATERIAL SPECIFICATION ITEM NO.

DETAILS
ONE PERSON RIG

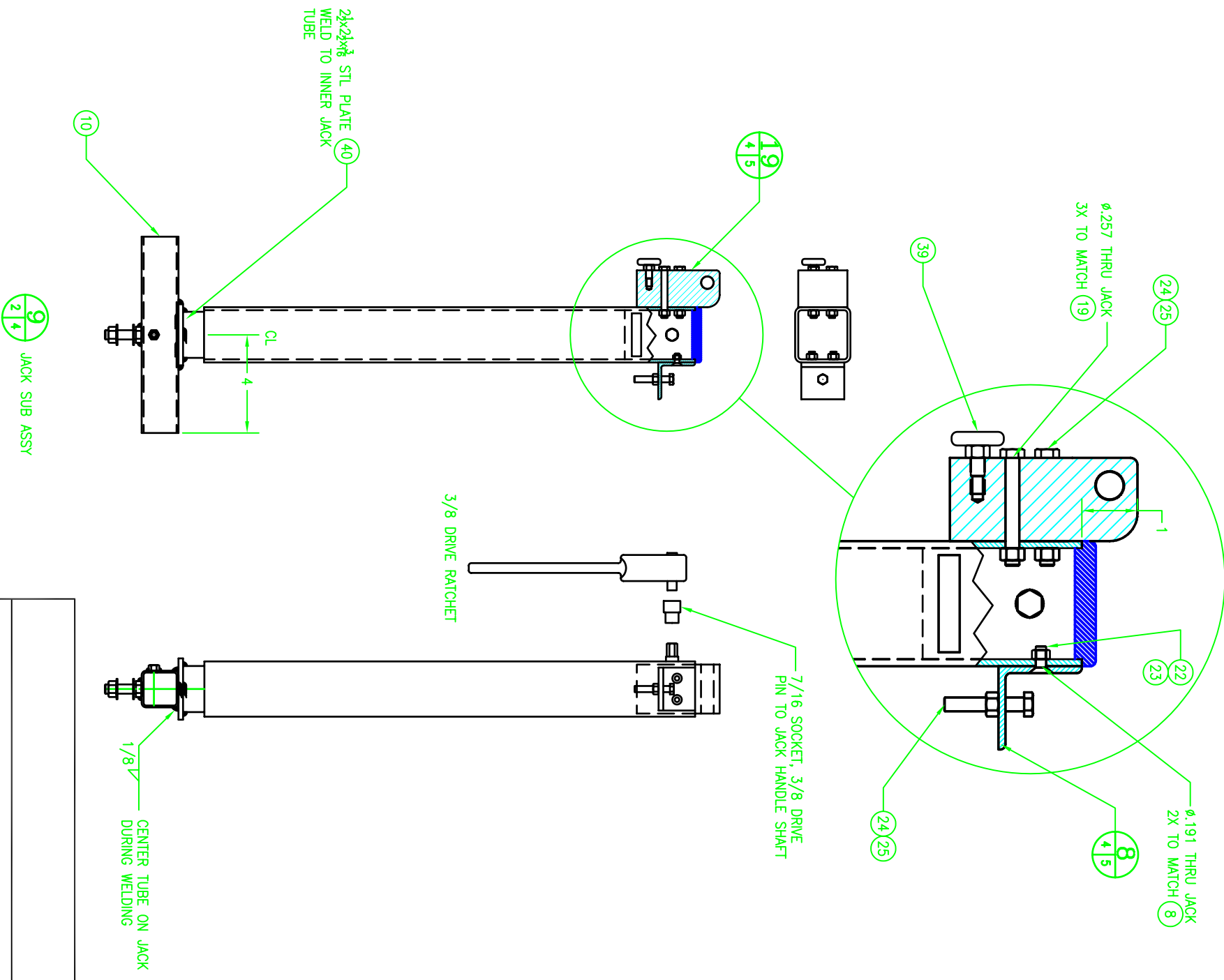
SIZE D D
DRAWING NO. HCB2012-1000
SCALE: NONE DATE: 8/26/12 SHEET: 6



HARBOR FREIGHT JACK ITEM #3961

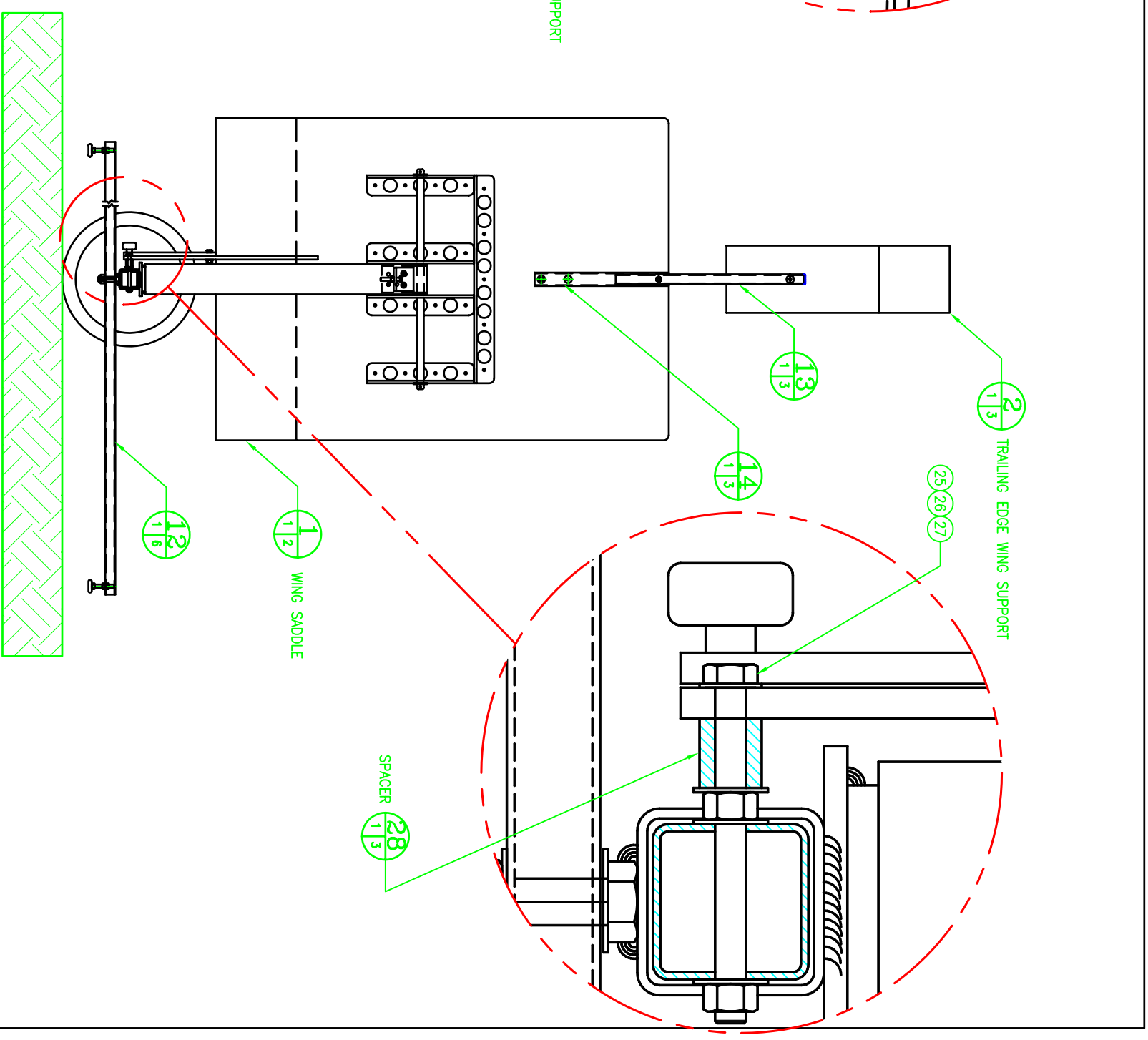
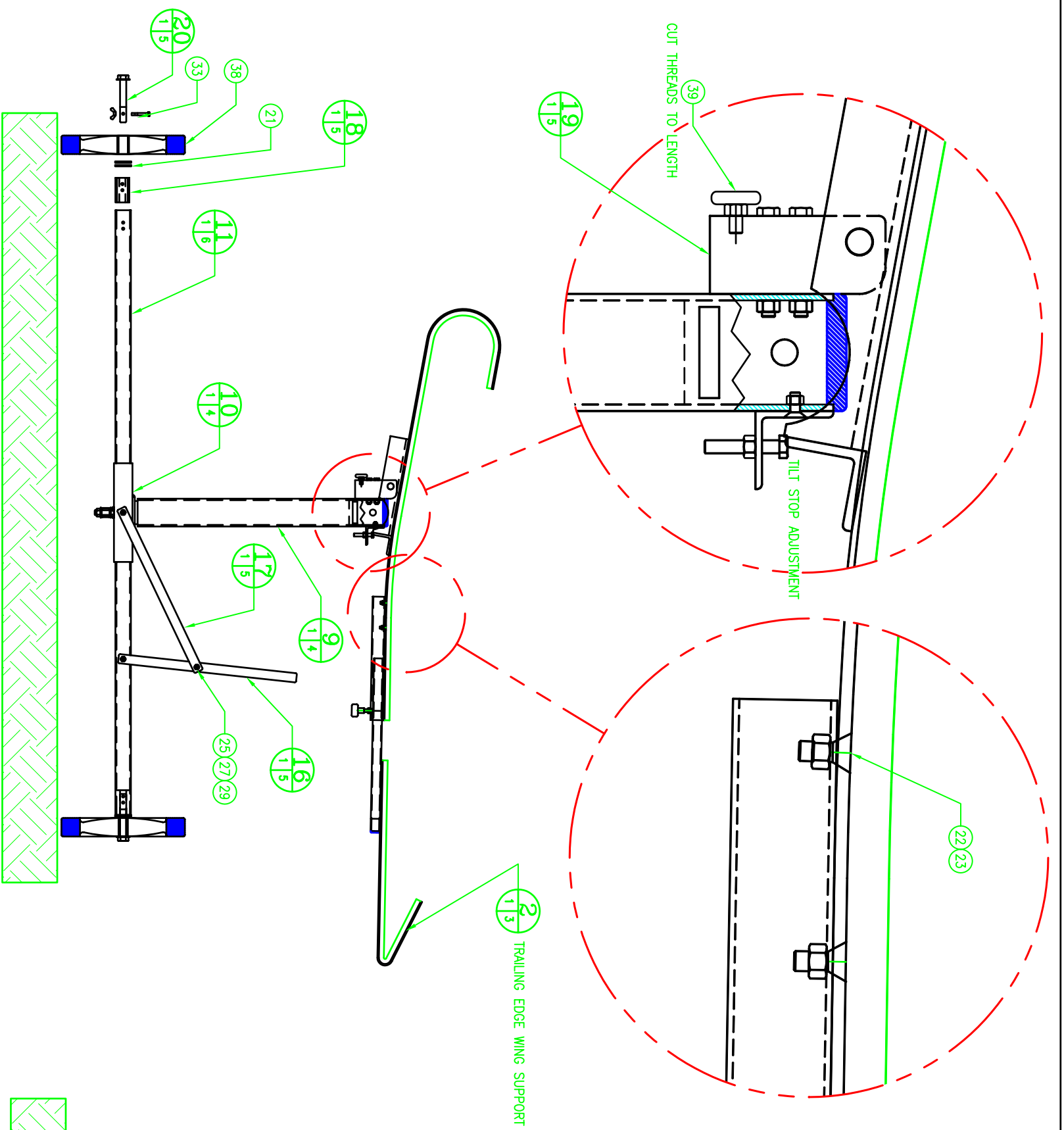


(10) JACK SLIDER TUBE
1 1/4" Ø 83 WALL SQ TUBE STL 8" LG



(9) JACK SUB ASSY

JACK MODIFICATION			
ONE PERSON RIG			
SIZE	DRAWING NO.	REV.	
D	HCB2012-1000	-	
SCALE:	DATE:	SHEET:	
NONE	8/27/12	4	



NOTES

⊗ DETAIL LETTER OR NUMBER

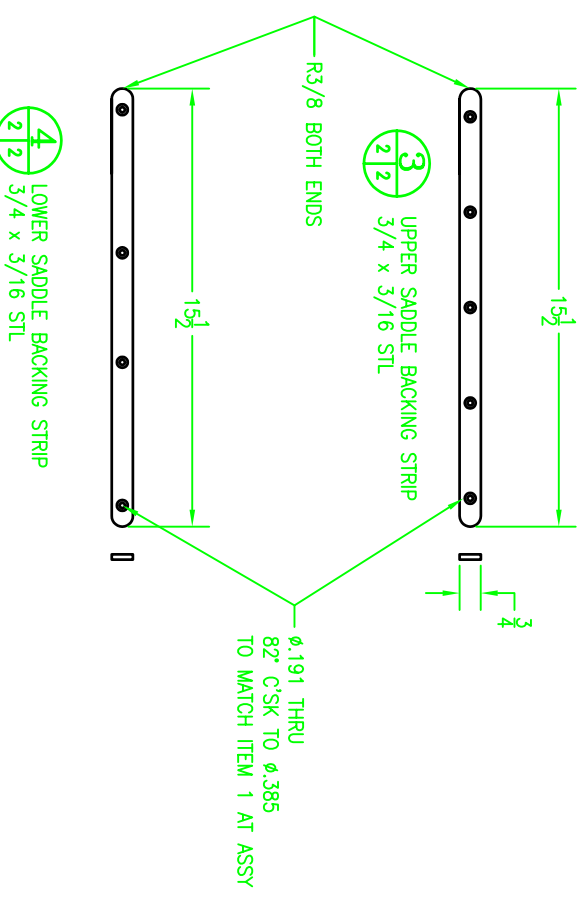
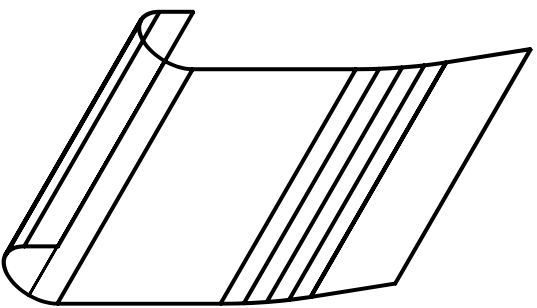
↖ SHEET TAKEN FROM

↗ SHEET SHOWN ON

∟ FILET WELD SYMBOL

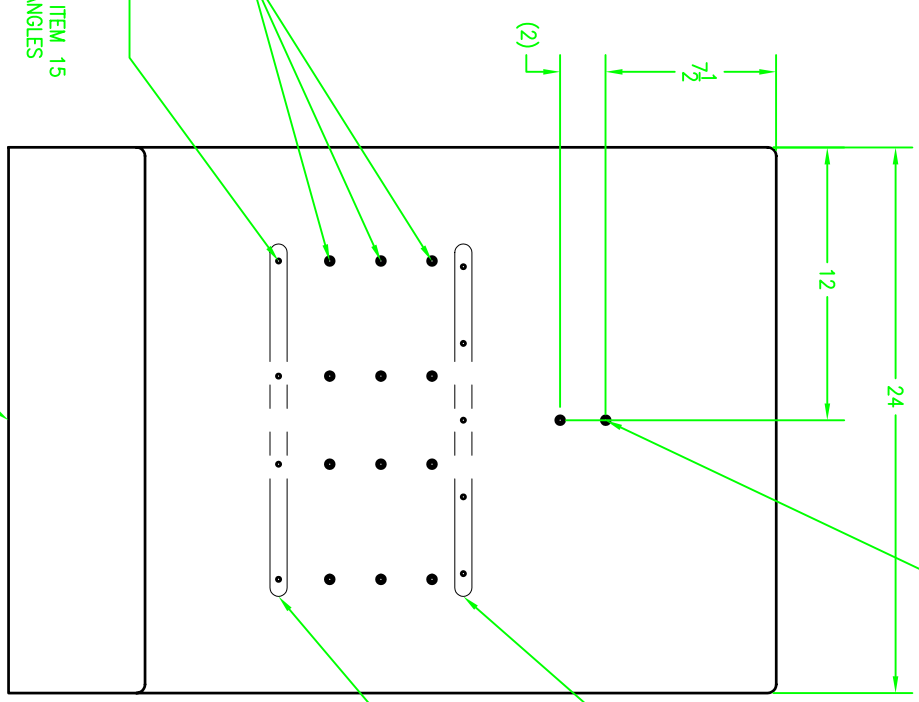
THIS DESIGN OF THE 1-26 WING RIG IS AN ADAPTATION OF THE UDO RUMPH ONE PERSON RIG. NO COMMERCIAL USE OF THIS DESIGN IS IMPLIED OR AUTHORIZED

ONE PERSON WING INSTALLATION RIG	
SCHWEIZER SGS 1-26E	
SIZE D	DRAWING NO. HCB2012-1000
SCALE: NONE	DATE: 8/26/12
	SHEET: 10F6



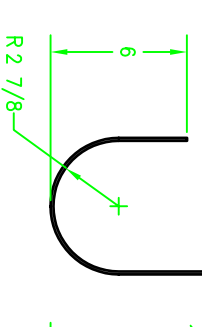
82° C'SK TO ϕ .385 THESE 12 HOLES THIS SIDE

ϕ .191 THRU TO MATCH HOLES IN ANGLES TO MATCH HOLES WITH PIVOT ROD, ITEM 15 ALIGN ALL ANGLES WITH PIVOT ROD, ITEM 15 DURING DRILLING AND WELDING OF ANGLES

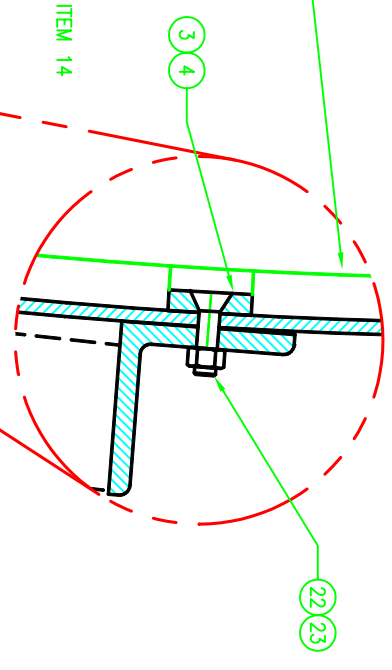
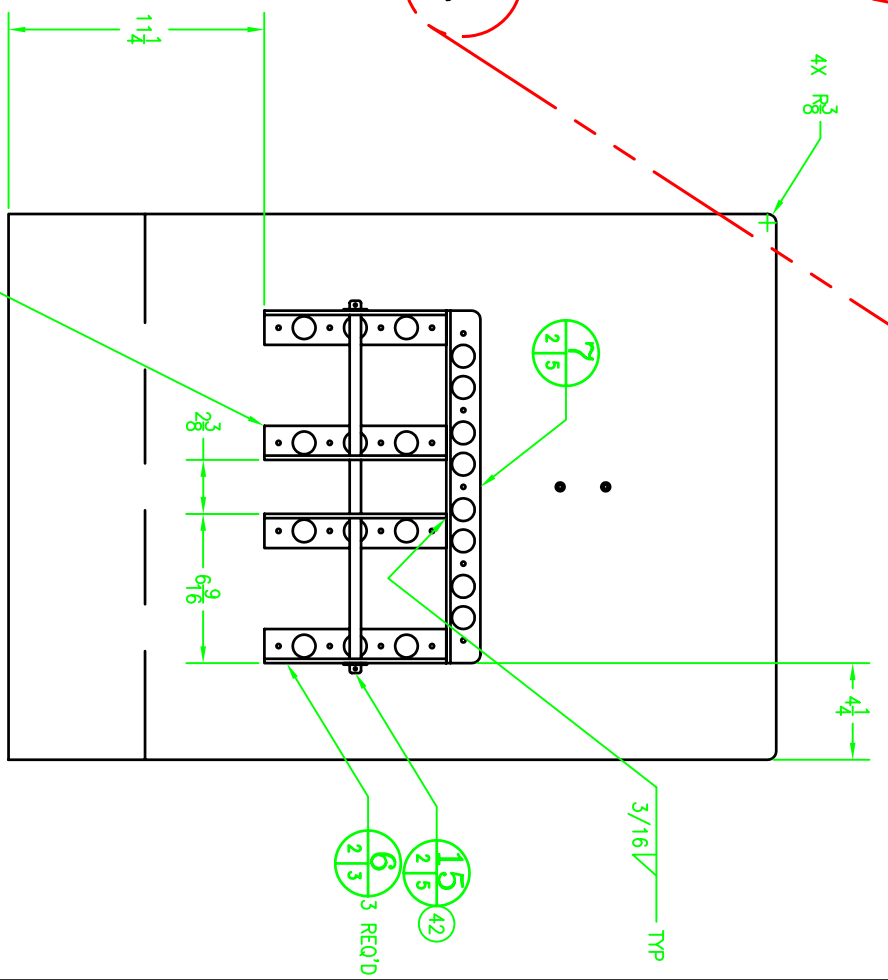


COVER INSIDE OF SADDLE WITH CARPET OR FELT. CUT OUT TO CLEAR BACKING STRIPS ITEMS 3 & 4. BOND WITH CONTACT CEMENT SEAL EDGES OF CARPET WITH SILICON RTV TO PREVENT CARPET FROM UNRAVELING

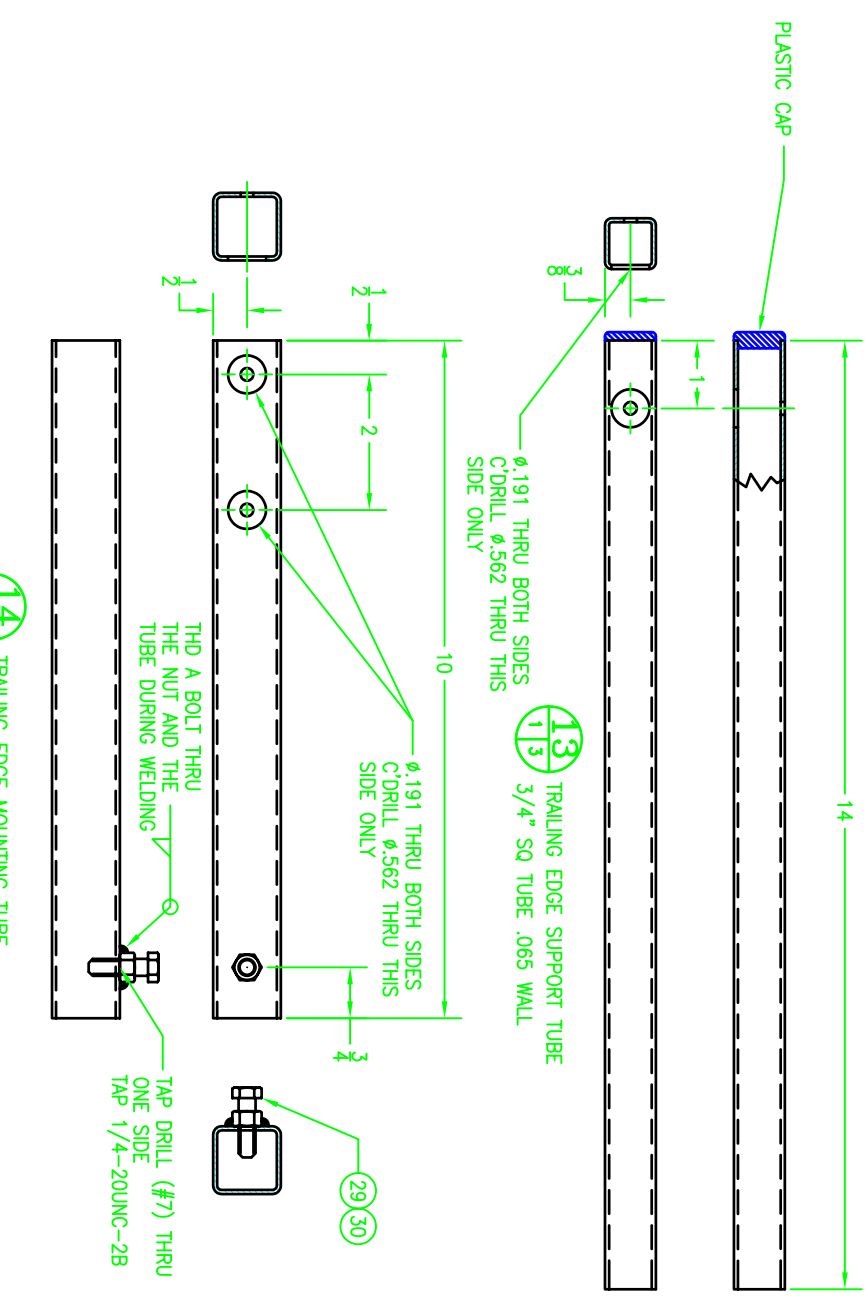
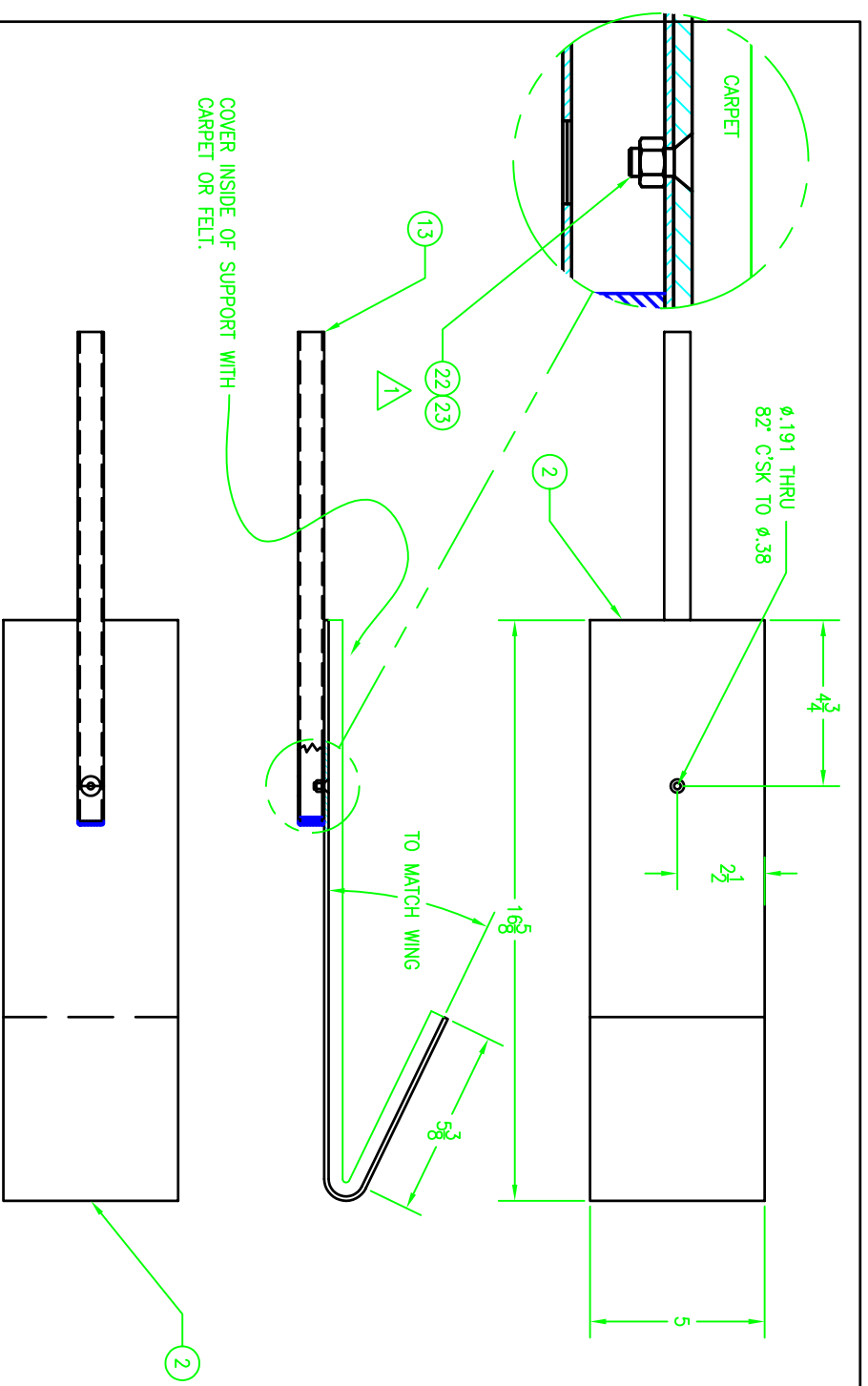
ϕ .191 THRU 82° C'SK TO ϕ .385 2 HOLES TO MATCH ITEM 14



1 WING SADDLE DETAIL SUB-ASSY

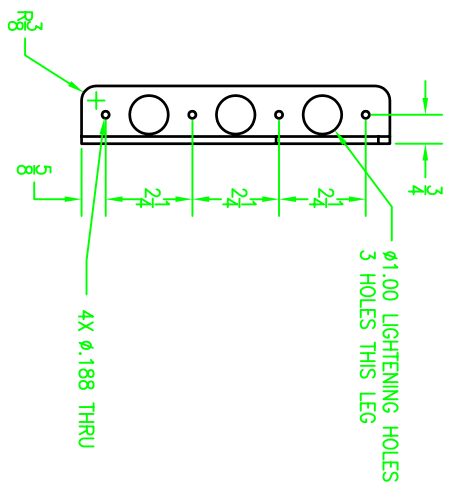
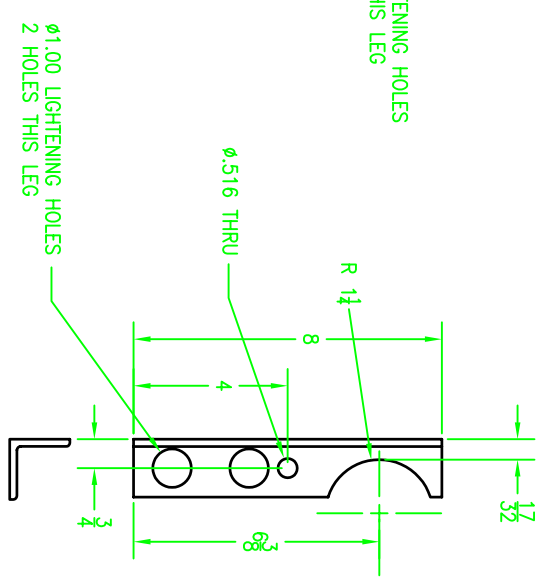
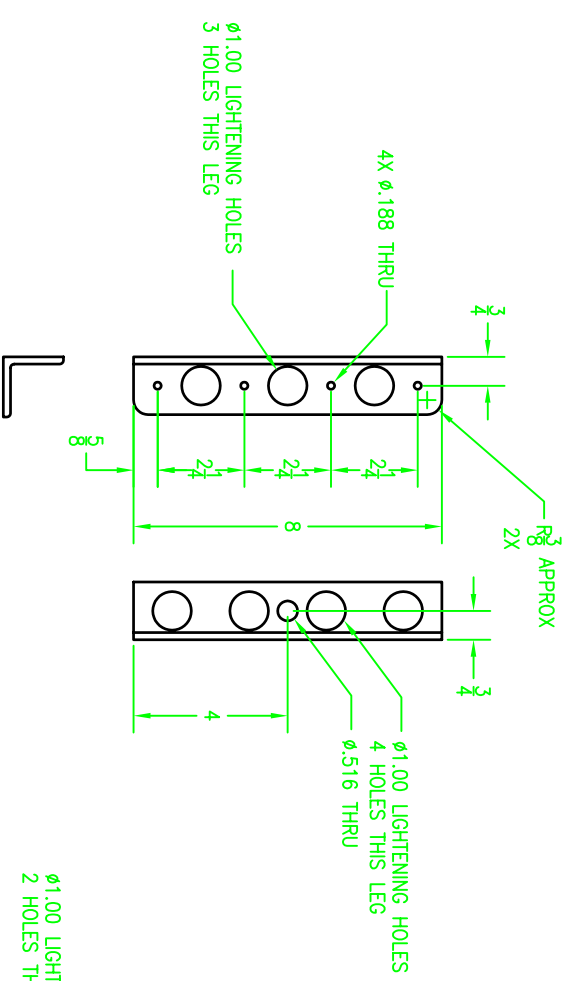


WING SADDLE SUB ASSY	
ONE PERSON RIG	
SIZE	DRAWING NO.
D	HCB2012-1000
SCALE: NONE	DATE: 8/26/12
	SHEET: 2



2 $\frac{1}{2}$.125x5x22.75" AL
TRAILING EDGE WING SUPPORT

14 $\frac{1}{2}$ 1" SQ TUBE .065 WALL
TRAILING EDGE MOUNTING TUBE



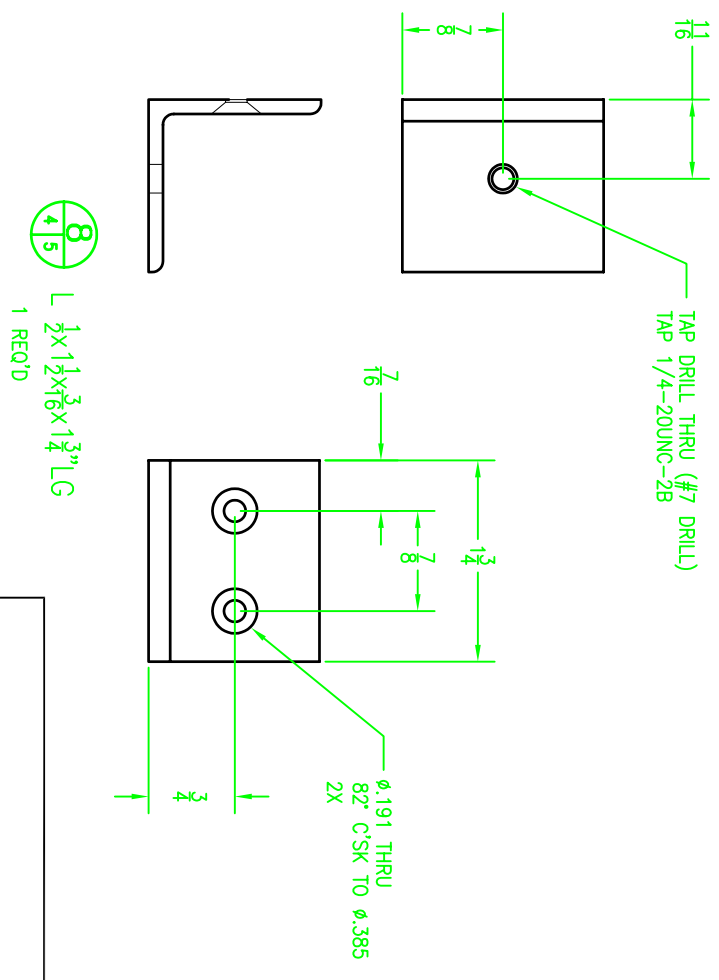
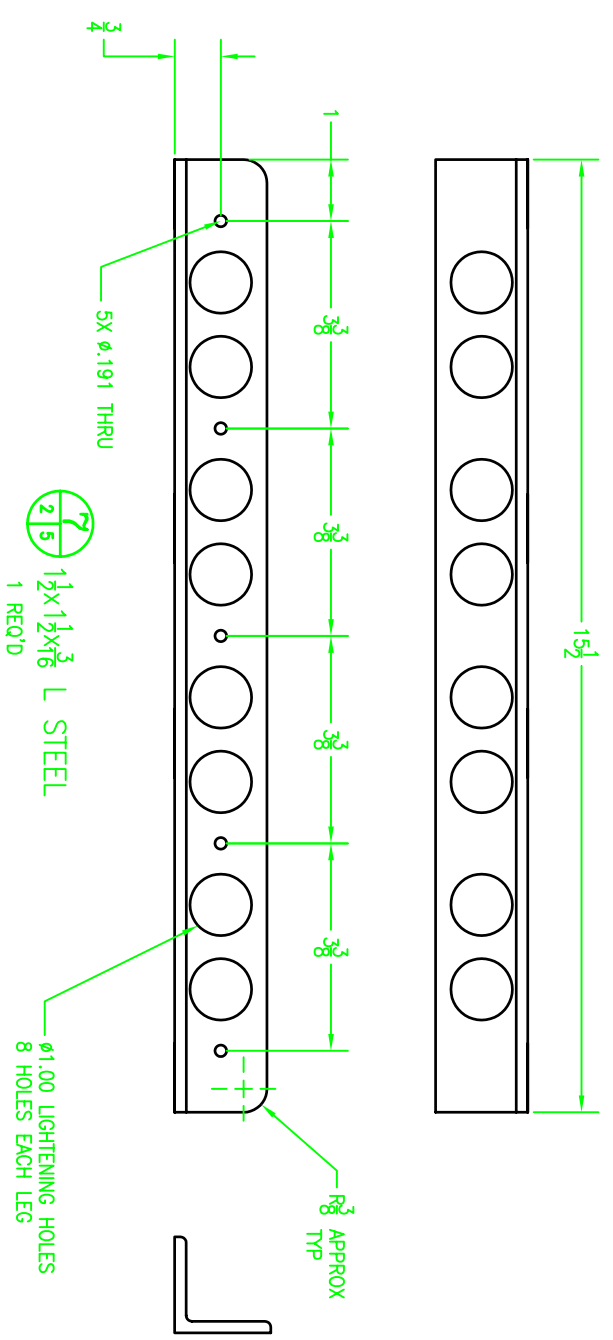
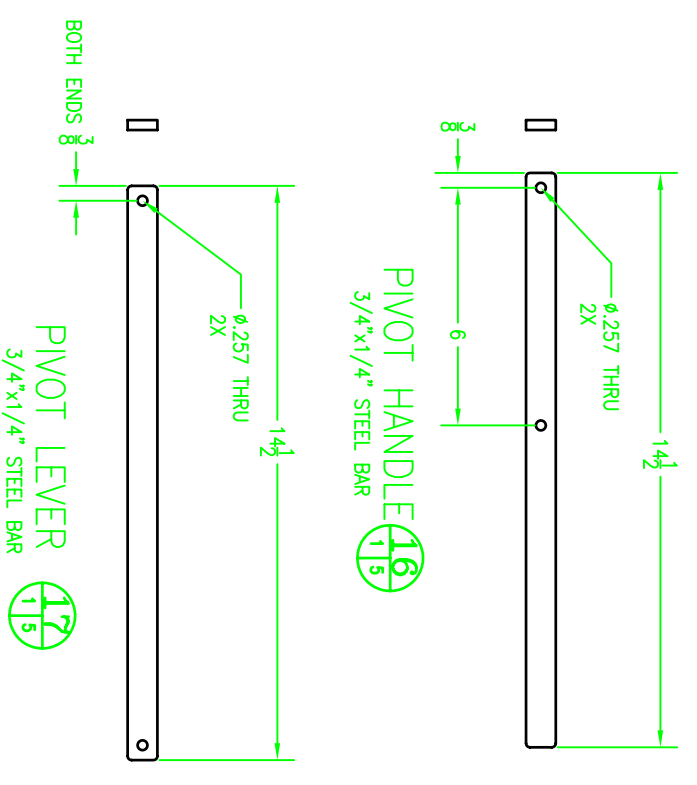
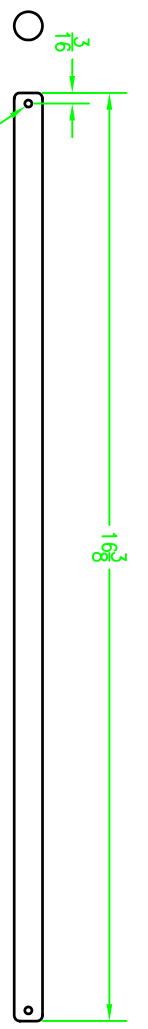
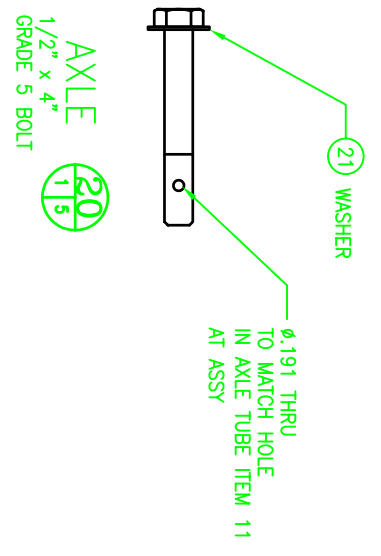
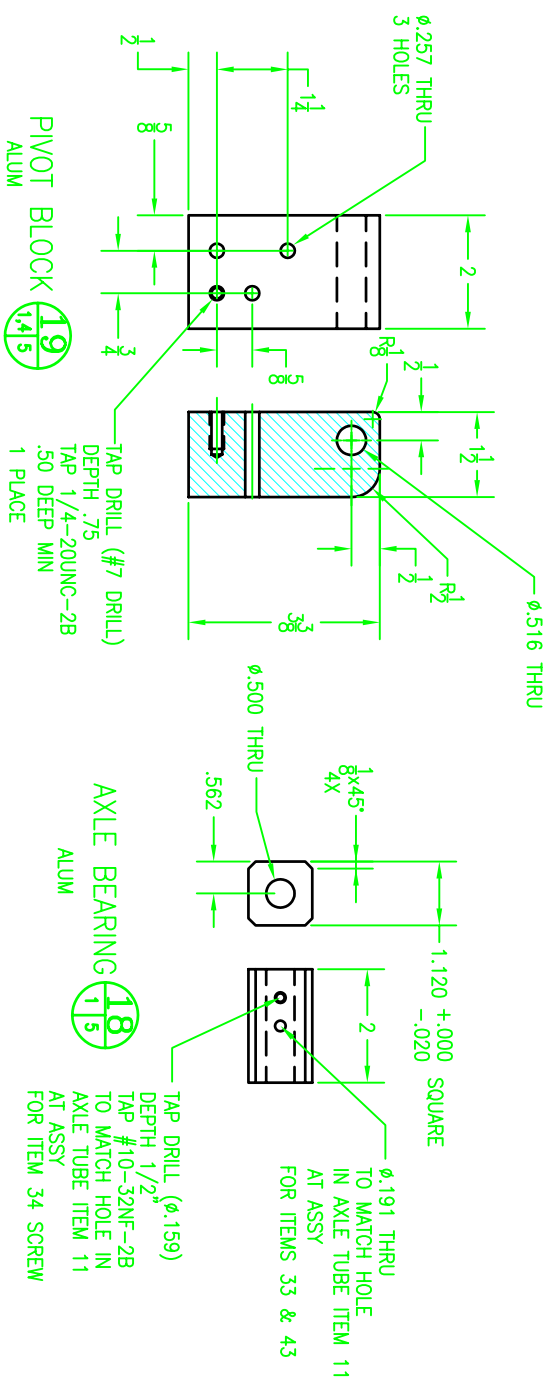
1 ITEM 13 MUST BE FREE TO SWIVEL ON ITEM 2

6 $\frac{1}{2}$ $\frac{1}{2}$ x $\frac{1}{2}$ x $\frac{1}{8}$ L 8" LG
3 REQ'D

5 $\frac{1}{2}$ $\frac{1}{2}$ x $\frac{1}{2}$ x $\frac{1}{8}$ L 8" LG
1 REQ'D

- 28** $\frac{1}{3}$ ALUM. SPACER OR STEEL WASHERS 1 REQ'D
 $\frac{1}{2}$ " OD x $\frac{1}{2}$ " ID x $\frac{1}{2}$ " LG
- 32** $\frac{4}{3}$ ALUM. SPACER OR STEEL WASHERS 1 REQ'D
 $\frac{1}{2}$ " OD x $\frac{1}{2}$ " ID x $\frac{3}{4}$ " LG

WING SUPPORT DETAILS ONE PERSON RIG	
SIZE	DRAWING NO.
D	HCB2012-1000
SCALE: NONE	DATE: 8/26/12
SHEET: 3	



DETAILS			
ONE PERSON RIG			
SIZE	DRAWING NO.	DATE:	SHEET:
D	HCB2012-1000	8/26/12	5
SCALE: NONE			-